



**SUBMITTAL DATA - INDOOR UNIT**  
**VEHD021N432U**  
**VRF HIGH STATIC FAN COIL EVAPORATOR**

**Job Name:** \_\_\_\_\_  
**Location:** \_\_\_\_\_  
**Schedule No.:** \_\_\_\_\_  
**System Designation:** \_\_\_\_\_

**Engineer:** \_\_\_\_\_  
**Architect:** \_\_\_\_\_  
**Date:** \_\_\_\_\_  
**For:** \_\_\_ Reference \_\_\_ Approval \_\_\_ Review \_\_\_ Construction

**FEATURES**

- Auto Addressing installation
- Auto Restart
- Adjustable ESP Setting
- Integrated Condensate Pump
- Built-in Electronic Expansion Valve
- LED Display Optional
- Flare Connections
- Anti-Freezing Protection
- Steel Cabinet

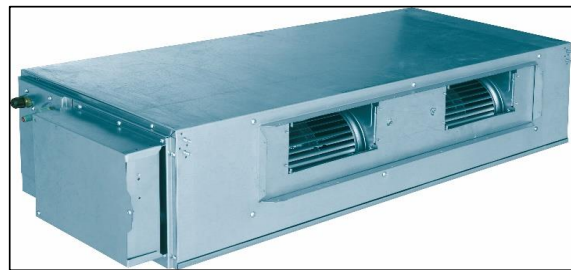
**PRODUCT WARRANTY**

All covered components - Five year limited warranty

**SPECIFICATIONS**

**PERFORMANCE**

Cooling Capacity* (Btu/h)		21,500
Heating Capacity* (Btu/h)		24,230
Airflow (CFM)	High	590
	Medium	471
	Low	355
External Static Pressure	Pa	0 - 100
	in. WC	0 - 0.4
Sound Pressure Level (dBA)	H / M / L	44/40/36

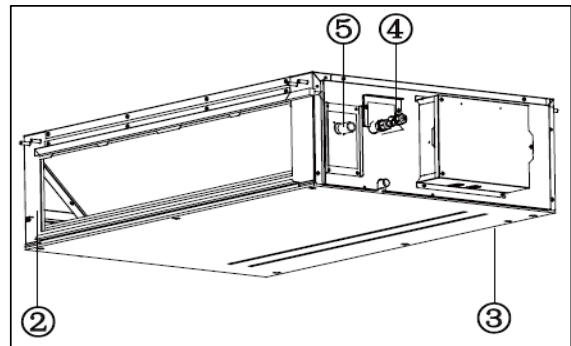


**ELECTRICAL DATA**

Power Supply (V / Hz / Ph)	220-240/50/1 - 208-230/60/1
MOP (A)	6
Rated Current (A)	Cooling 0.6
	Heating 0.6

**DIMENSIONS**

Unit Dimensions (in)	Height	10 1/2
	Width	50
	Depth	22
Liquid Pipe Connection (in)		3/8
Gas Pipe Connection (in)		5/8
Shipping Weight (lb)		88.2
Net Weight (lb)		77.2



1. Air Filter
2. Air Inlet
3. Air Outlet
4. Fittings
5. Drain Pipe

**NOTES:**

\*Cooling and Heating Capacity data is rated at the following conditions:

Cooling: 80 °F DB / 67 °F WB Indoor, 95 °F DB Outdoor

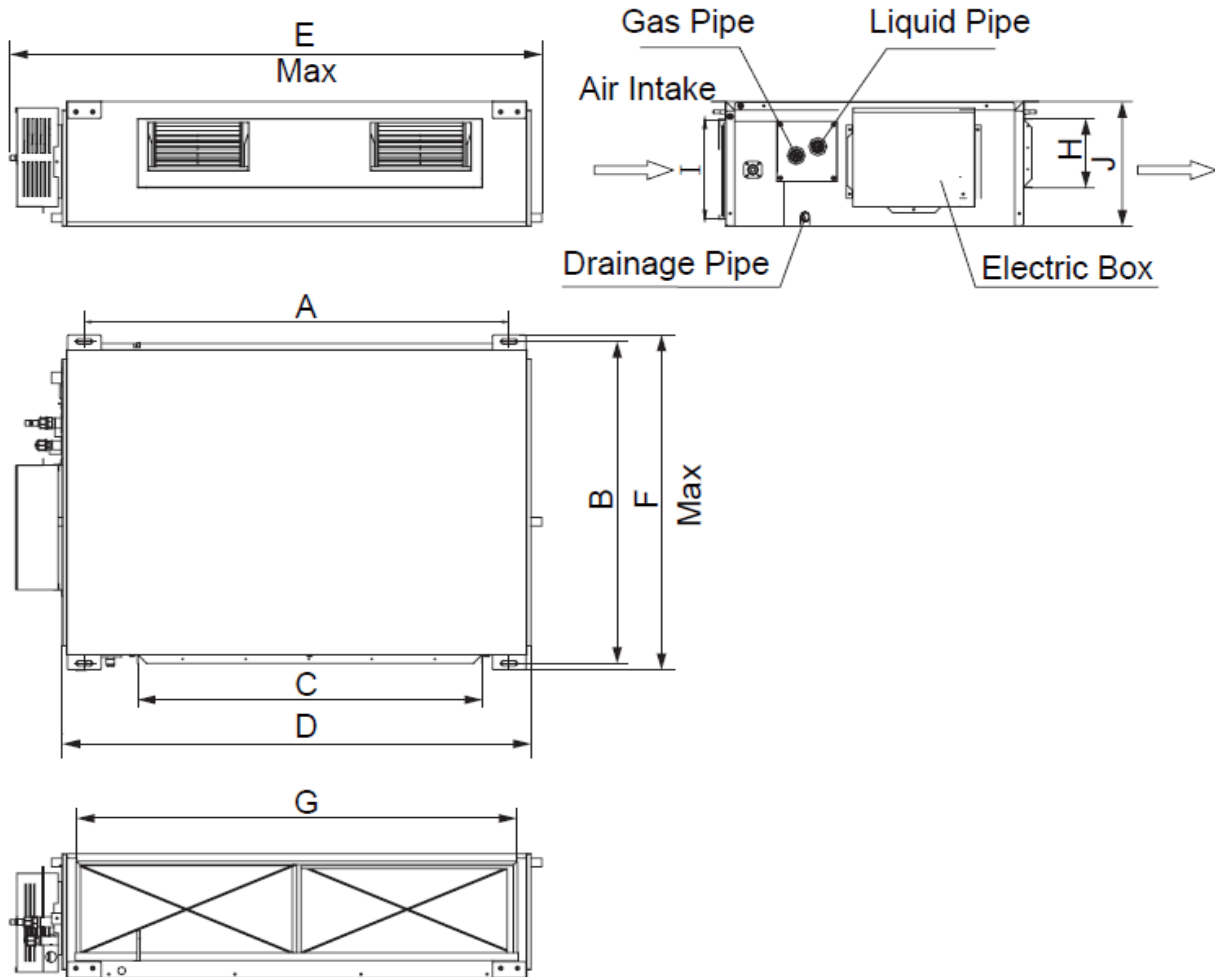
Heating: 70 °F DB Indoor, 47 °F DB

NOTE – Due to Lennox' ongoing commitment to quality, Specifications, Ratings and Dimensions subject to change without notice and without incurring liability. Improper installation, adjustment, alteration, service or maintenance can cause property damage or personal injury. Installation and service must be performed by a qualified installer and servicing agency. ©2017 Lennox Industries Inc.



**SUBMITTAL DATA - INDOOR UNIT**  
**VEHD021N432U**  
**VRF HIGH STATIC FAN COIL EVAPORATOR**

**DIMENSIONAL DRAWINGS**



	mm	in
<b>A</b>	1101	43.34
<b>B</b>	517	20.35
<b>C</b>	820	32.28
<b>D</b>	1159	45.63
<b>E</b>	1271	50
<b>F</b>	558	22
<b>G</b>	1002	39.44
<b>H</b>	160	6.3
<b>I</b>	235	9.25
<b>J</b>	268	10.5

NOTE – Due to Lennox' ongoing commitment to quality, Specifications, Ratings and Dimensions subject to change without notice and without incurring liability. Improper installation, adjustment, alteration, service or maintenance can cause property damage or personal injury. Installation and service must be performed by a qualified installer and servicing agency. ©2017 Lennox Industries Inc.