



SUBMITTAL DATA - INDOOR UNIT
VE4C018C432P
VRF STD 4-WAY CASSETTE TYPE EVAPORATOR
208-230/1/60

Job Name: _____
Location: _____
Schedule No.: _____
System Designation: _____

Engineer: _____
Architect: _____
Date: _____
For: ___ Reference ___ Approval ___ Review ___ Construction

FEATURES

- Auto Addressing installation
- Auto Restart
- Replaceable Front Panel
- Integrated Condensate Pump
- Built-in Electronic Expansion Valve
- LED Display
- Washable Filter
- Water Overflow Protection
- Anti-Freezing Protection

PRODUCT WARRANTY

All covered components - one year limited warranty

SPECIFICATIONS

PERFORMANCE

Cooling Capacity* (Btu/h)		18,000
Heating Capacity* (Btu/h)		20,000
Airflow (CFM)	High	590
	Medium	530
	Low	440

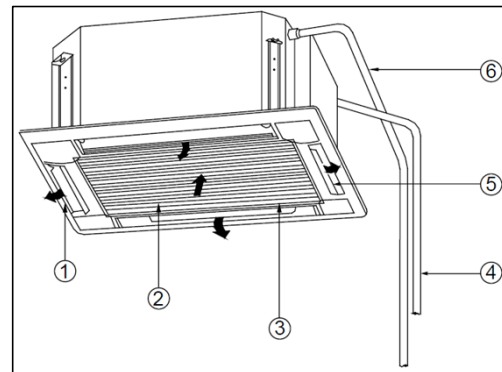
Sound Pressure Level (dBA) H / M / L 37/35/32

ELECTRICAL DATA

Power Supply (V / Ph / Hz)		208-230/1/60
MOP (A)		15
Circuit Breaker (A)		6
MCA (A)		1
Rated Current (A)	Cooling	0.5
	Heating	0.5

DIMENSIONS

Unit Dimensions (in)	Height	9 1/2
	Width	33
	Depth	33
Panel Unit Dimensions (in)	Height	2 1/2
	Width	37 3/8
	Depth	37 3/8
Liquid Pipe Connection (in)		3/8
Gas Pipe Connection (in)		5/8
Shipping Weight (lb)		75
Net Weight (lb)		58.4
Panel Shipping Weight (lb)		24.3
Panel Net Weight (lb)		15



1. Air Outlet
2. Air Filter
3. Grill
4. Refrigerant Piping
5. Louvers
6. Drain Pipe

NOTES:

*Cooling and Heating Capacity data is rated at the following conditions:

Cooling: 80 °F DB / 67 °F WB Indoor, 95 °F DB Outdoor

Heating: 70 °F DB Indoor, 47 °F DB

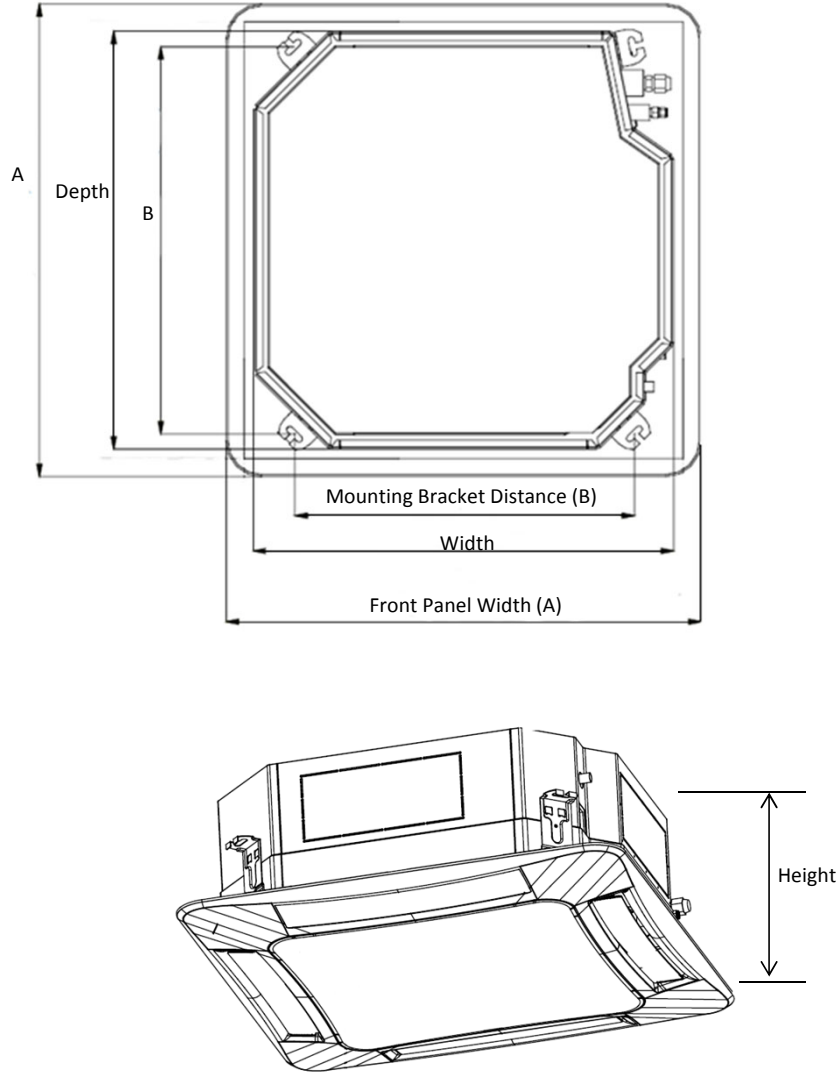


NOTE – Due to Lennox' ongoing commitment to quality, Specifications, Ratings and Dimensions subject to change without notice and without incurring liability. Improper installation, adjustment, alteration, service or maintenance can cause property damage or personal injury. Installation and service must be performed by a qualified installer and servicing agency. ©2019 Lennox Industries Inc.



SUBMITTAL DATA - INDOOR UNIT
VE4C018C432P
VRF STD 4-WAY CASSETTE TYPE EVAPORATOR
208-230/1/60

DIMENSIONAL DRAWINGS



	mm	in
Width	840	33.07
Depth	840	33.07
Height	240	9.45
A	950	37.40
B	680	26.77

NOTE – Due to Lennox' ongoing commitment to quality, Specifications, Ratings and Dimensions subject to change without notice and without incurring liability. Improper installation, adjustment, alteration, service or maintenance can cause property damage or personal injury. Installation and service must be performed by a qualified installer and servicing agency. ©2019 Lennox Industries Inc.