



SUBMITTAL DATA - INDOOR UNIT
VE1C009C432P
1-WAY CASSETTE TYPE EVAPORATOR
208-230/1/60

Job Name: _____
 Location: _____
 Schedule No.: _____
 System Designation: _____

Engineer: _____
 Architect: _____
 Date: _____
 For: ___ Reference ___ Approval ___ Review ___ Construction

FEATURES

- Auto Addressing installation
- Auto Restart
- Replaceable Front Panel
- Integrated Condensate Pump
- Built-in Electronic Expansion Valve
- LED Display
- Washable Filter
- Water Overflow Protection
- Anti-Freezing Protection

SPECIFICATIONS

PERFORMANCE

| | | |
|---------------------------|--------|--------|
| Cooling Capacity* (Btu/h) | | 9,500 |
| Heating Capacity* (Btu/h) | | 10,500 |
| Airflow (CFM) | High | 353 |
| | Medium | 294 |
| | Low | 265 |

Sound Pressure Level (dBA) H / M / L 36/32/28

ELECTRICAL DATA

| | | |
|----------------------------|---------|--------------|
| Power Supply (V / Ph / Hz) | | 208-230/1/60 |
| MOCP (A) | | 6 |
| MCA (A) | | 2 |
| Rated Current (A) | Cooling | 0.2 |
| | Heating | 0.2 |

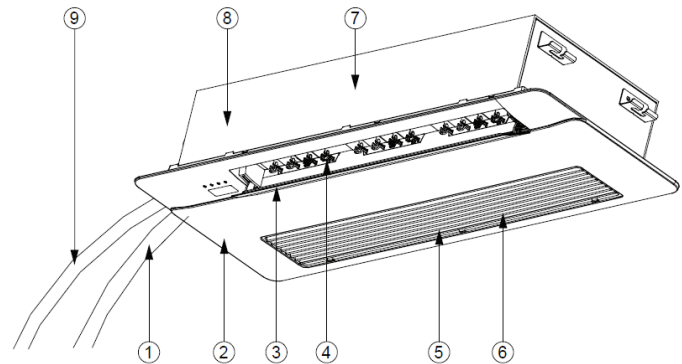
DIMENSIONS

| | | |
|----------------------|--------|--------|
| Unit Dimensions (in) | Height | 7 |
| | Width | 38 7/8 |
| | Depth | 15 1/5 |

| | | |
|-----------------------|--------|--------|
| Panel Dimensions (in) | Height | 2 1/5 |
| | Width | 47 1/4 |
| | Depth | 18 1/8 |

| | |
|-----------------------------|-----|
| Liquid Pipe Connection (in) | 1/4 |
| Gas Pipe Connection (in) | 3/8 |

| | |
|----------------------------|------|
| Shipping Weight (lb) | 44 |
| Net Weight (lb) | 60 |
| Panel Shipping Weight (lb) | 9.3 |
| Panel Net Weight (lb) | 13.2 |



- 1. Refrigerant Pipes
- 2. Front Panel
- 3. Louvers
- 4. Swing Blades
- 5. Grill
- 6. Washable Filter
- 7. Body
- 8. Condensate Pump
- 9. Drain Pipe

NOTES:

*Cooling and Heating Capacity data is rated at the following conditions:

Cooling: 80 °F DB / 67 °F WB Indoor, 95 °F DB Outdoor

Heating: 70 °F DB Indoor, 47 °F DB

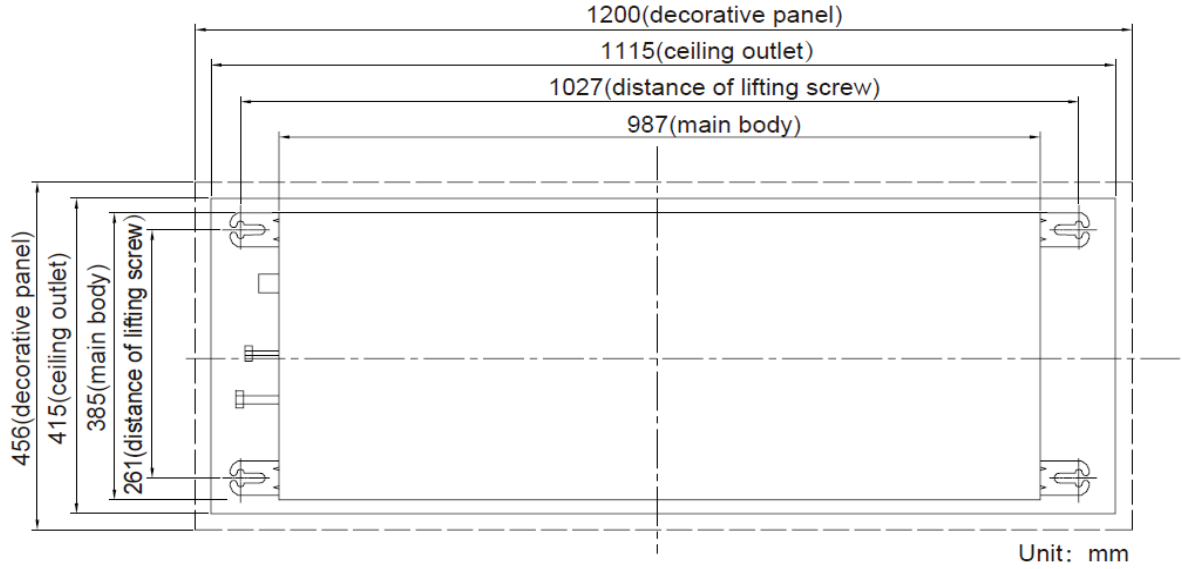


NOTE – Due to Lennox' ongoing commitment to quality, Specifications, Ratings and Dimensions subject to change without notice and without incurring liability. Improper installation, adjustment, alteration, service or maintenance can cause property damage or personal injury. Installation and service must be performed by a qualified installer and servicing agency. ©2020 Lennox Industries Inc.



SUBMITTAL DATA - INDOOR UNIT
VE1C009C432P
1-WAY CASSETTE TYPE EVAPORATOR
208-230/1/60

DIMENSIONAL DRAWINGS



| | mm | in |
|-------------------------|------|--------|
| Decorative Panel | 1200 | 47 1/4 |
| Ceiling Outlet | 1115 | 43 8/9 |
| Hangers | 1027 | 40 3/7 |
| Main Body | 987 | 38 6/7 |
| Decorative Panel | 145 | 5 5/7 |
| Ceiling Outlet | 240 | 9 4/9 |
| Main Body | 385 | 15 1/6 |
| Hangers | 261 | 10 2/7 |

NOTE – Due to Lennox' ongoing commitment to quality, Specifications, Ratings and Dimensions subject to change without notice and without incurring liability. Improper installation, adjustment, alteration, service or maintenance can cause property damage or personal injury. Installation and service must be performed by a qualified installer and servicing agency. ©2020 Lennox Industries Inc.