



**SUBMITTAL DATA - CONTROLS**  
**VECK048N432U**  
**VRF INDOOR UNIT CONVERSION KIT**

Job Name: \_\_\_\_\_  
 Location: \_\_\_\_\_  
 Schedule No.: \_\_\_\_\_  
 System Designation: \_\_\_\_\_

Engineer: \_\_\_\_\_  
 Architect: \_\_\_\_\_  
 Date: \_\_\_\_\_  
 For:  Reference  Approval  Review  Construction

**VRF INDOOR UNIT CONVERSION KIT**

**FEATURES AND FUNCTIONS**

- Use this system in combination with a field supplied air handling unit
- This equipment is not designed for year-round cooling applications with low indoor humidity conditions, such as Electronic Data Processing rooms.
- Piping brazing connections
- Must be connected to the VRF Individual Wired Control VEWCL1B (Included)

**SPECIFICATIONS**

**CAPACITY PERFORMANCE**

Default Setting (Btu/h)	48,000
(* ) Adjustable Cooling Capacity (Btu/h)	31,000 - 48,000
(* ) Adjustable Heating Capacity (Btu/h)	34,000 - 55,000

**ELECTRICAL DATA**

Power Supply	208-230/220-240/1/50-60
MOCP (A)	6
Fuse Current (A)	Cooling 3.15

**DIMENSIONS**

Unit Dimensions (in)	<b>CONTROL BOX</b>
	Height 13 1/7
	Width 11 1/6
	Depth 4 3/8
	<b>EXV BOX</b>
	Height 8
	Width 12 5/6
	Depth 3 1/3

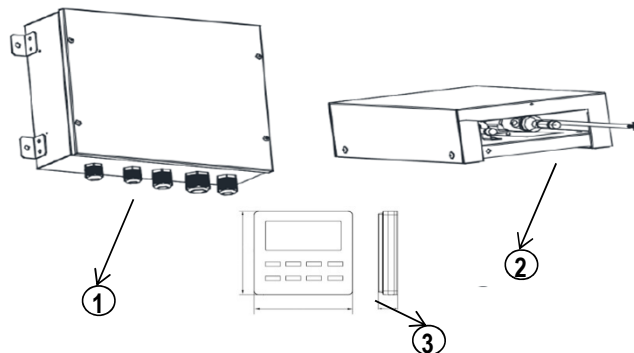
EXV Liquid Pipe Connection (Brazing) (in)	3/8
AHU Liquid Pipe Connection (in) (+)	3/8" - 3/8"
AHU Gas Pipe Connection (in) (+)	5/8" - 5/8"
Shipping Weight (lb)	25.358
Net Weight (lb)	18.963

(\* ) There are several options on adjustable capacity. Check manual for details

**CONTROL BOX**



**EXV BOX**



1	Control Box
2	Expansion Valve kit Box
3	Individual Wired Control VEWCL1B

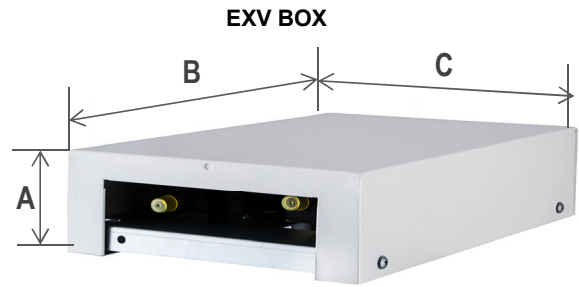
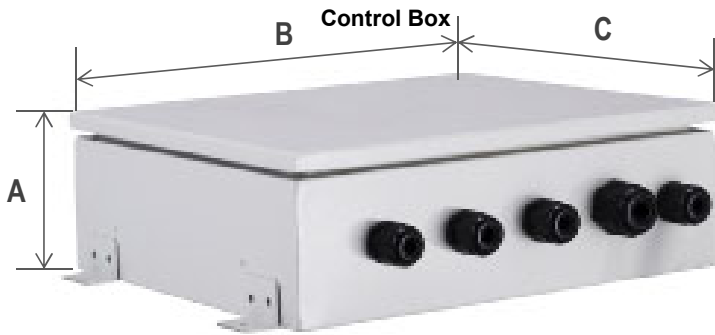
(+) at the cooling capacity options

NOTE – Due to Lennox' ongoing commitment to quality, Specifications, Ratings and Dimensions subject to change without notice and without incurring liability. Improper installation, adjustment, alteration, service or maintenance can cause property damage or personal injury. Installation and service must be performed by a qualified installer and servicing agency. ©2019 Lennox Industries Inc.



**SUBMITTAL DATA - CONTROLS**  
**VECK048N432U**  
**VRF INDOOR UNIT CONVERSION KIT**

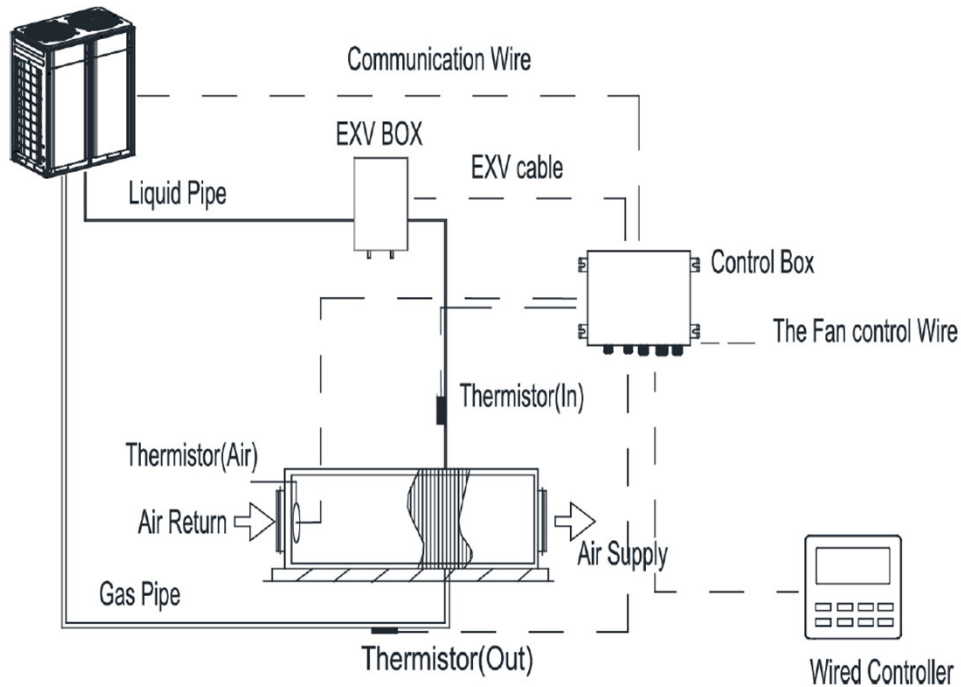
**DIMENSIONAL DRAWINGS**



	Dimension (inch)		
	Wired Control	Control Box	EXV Box
<b>A</b>	4 1/2	13 1/7	8
<b>B</b>	4 1/2	11 1/6	12 5/6
<b>C</b>	3/4	4 3/8	3 1/3



**SYSTEM CONNECTION DIAGRAM**



NOTE – Due to Lennox' ongoing commitment to quality, Specifications, Ratings and Dimensions subject to change without notice and without incurring liability. Improper installation, adjustment, alteration, service or maintenance can cause property damage or personal injury. Installation and service must be performed by a qualified installer and servicing agency. ©2019 Lennox Industries Inc.