



SUBMITTAL DATA - INDOOR UNIT

VE8C017N432U

VRF COMPACT 8-WAY CASSETTE TYPE EVAPORATOR (360° Discharge)

Job Name: _____
 Location: _____
 Schedule No.: _____
 System Designation: _____

Engineer: _____
 Architect: _____
 Date: _____
 For: Reference Approval Review Construction

FEATURES

- Auto Addressing installation
- Auto Restart
- Replaceable Front Panel
- Integrated Condensate Pump
- Built-in Electronic Expansion Valve
- LED Display
- Water Overflow Protection
- Anti-Freezing Protection
- Wireless Control included

PRODUCT WARRANTY

All covered components - Five year limited warranty

SPECIFICATIONS

PERFORMANCE

Cooling Capacity* (Btu/h)		17,060
Heating Capacity* (Btu/h)		19,110
Airflow (CFM)	High	430
	Medium	383
	Low	330

Sound Pressure Level (dBA) H / M / L 43/41/39

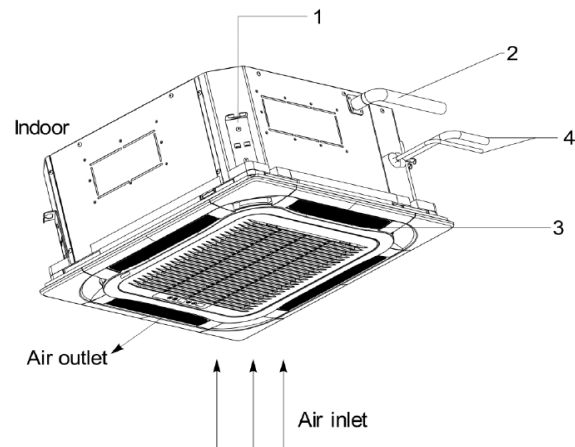
ELECTRICAL DATA

Power Supply (V / Hz / Ph)	220-240/50/1 - 208-230/60/1	
MOCP (A)		6
Current Input (A)	Cooling	0.23
	Heating	0.23

DIMENSIONS

Unit Dimensions (in)	Height	10 1/2
	Width	22 1/2
	Depth	22 1/2

Liquid Pipe Connection (in)	1/4
Gas Pipe Connection (in)	1/2
Shipping Weight (lb)	49.6
Net Weight (lb)	38.6



1. Location EXV
2. Drain
3. Louvers
4. Refrigerant Pipings

NOTES:

*Cooling and Heating Capacity data is rated at the following conditions:

Cooling: 80 °F DB / 67 °F WB Indoor, 95 °F DB Outdoor

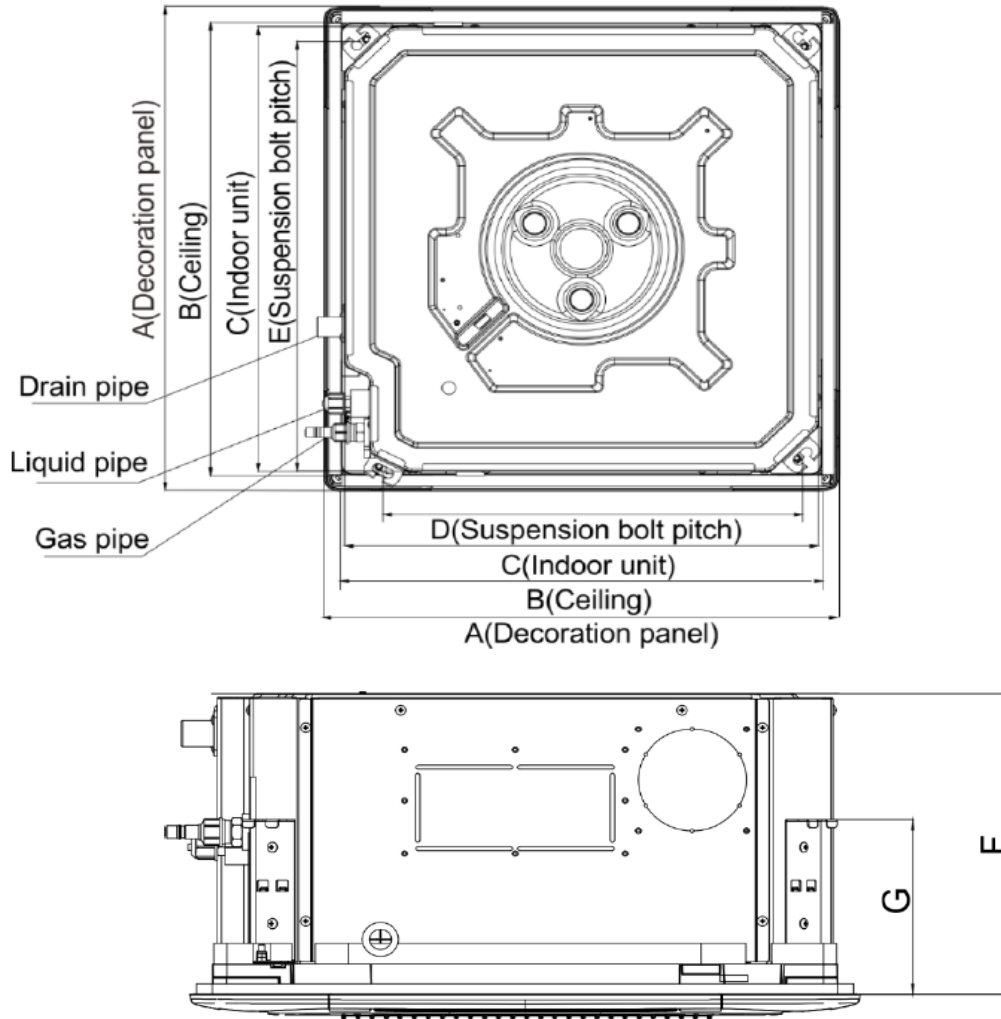
Heating: 70 °F DB Indoor, 47 °F DB

NOTE – Due to Lennox' ongoing commitment to quality, Specifications, Ratings and Dimensions subject to change without notice and without incurring liability. Improper installation, adjustment, alteration, service or maintenance can cause property damage or personal injury. Installation and service must be performed by a qualified installer and servicing agency. ©2019 Lennox Industries Inc.



SUBMITTAL DATA - INDOOR UNIT
VE8C017N432U
Y CASSETTE TYPE EVAPORATOR (360° Discharge)

DIMENSIONAL DRAWINGS



	mm	in
A	620	24.41
B	580	22.83
C	570	22.44
D	505	19.88
E	550	21.65
F	295	11.61
G	171	6.73

NOTE – Due to Lennox' ongoing commitment to quality, Specifications, Ratings and Dimensions subject to change without notice and without incurring liability. Improper installation, adjustment, alteration, service or maintenance can cause property damage or personal injury. Installation and service must be performed by a qualified installer and servicing agency. ©2019 Lennox Industries Inc.