



## SUBMITTAL DATA - INDOOR UNIT

**VE8C012N432U**

### VRF COMPACT 8-WAY CASSETTE TYPE EVAPORATOR (360° Discharge)

Job Name: \_\_\_\_\_  
 Location: \_\_\_\_\_  
 Schedule No.: \_\_\_\_\_  
 System Designation: \_\_\_\_\_

Engineer: \_\_\_\_\_  
 Architect: \_\_\_\_\_  
 Date: \_\_\_\_\_  
 For:  Reference  Approval  Review  Construction

### FEATURES

- Auto Addressing installation
- Auto Restart
- Replaceable Front Panel
- Integrated Condensate Pump
- Built-in Electronic Expansion Valve
- LED Display
- Water Overflow Protection
- Anti-Freezing Protection
- Wireless Control included

### PRODUCT WARRANTY

All covered components - Five year limited warranty

### SPECIFICATIONS

#### PERFORMANCE

Cooling Capacity* (Btu/h)		12,280
Heating Capacity* (Btu/h)		13,650
Airflow (CFM)	High	365
	Medium	324
	Low	282

Sound Pressure Level (dBA)                      H / M / L    39/37/35

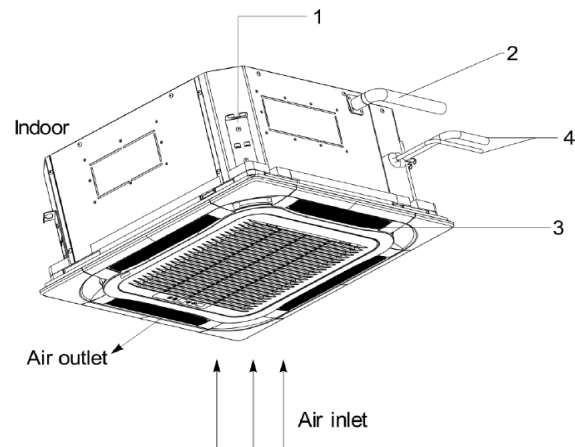
#### ELECTRICAL DATA

Power Supply (V / Hz / Ph)	220-240/50/1 - 208-230/60/1	
MOCP (A)		6
Current Input (A)	Cooling	0.15
	Heating	0.15

#### DIMENSIONS

Unit Dimensions (in)	Height	10 1/2
	Width	22 1/2
	Depth	22 1/2

Liquid Pipe Connection (in)	1/4
Gas Pipe Connection (in)	1/2
Shipping Weight (lb)	49.6
Net Weight (lb)	38.6



1. Location EXV
2. Drain
3. Louvers
4. Refrigerant Pipings

#### NOTES:

\*Cooling and Heating Capacity data is rated at the following conditions:

Cooling: 80 °F DB / 67 °F WB Indoor, 95 °F DB Outdoor

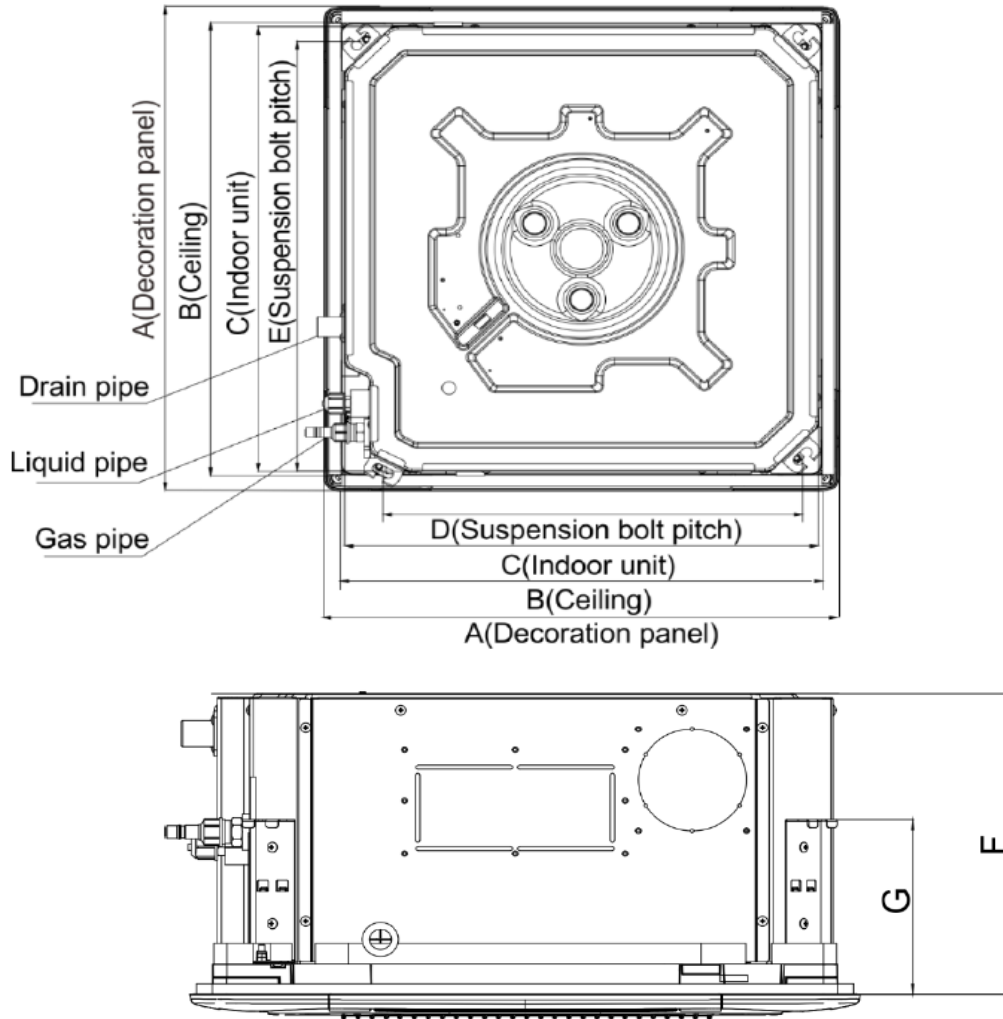
Heating: 70 °F DB Indoor, 47 °F DB

NOTE – Due to Lennox' ongoing commitment to quality, Specifications, Ratings and Dimensions subject to change without notice and without incurring liability. Improper installation, adjustment, alteration, service or maintenance can cause property damage or personal injury. Installation and service must be performed by a qualified installer and servicing agency. ©2019 Lennox Industries Inc.



**SUBMITTAL DATA - INDOOR UNIT**  
**VE8C012N432U**  
**Y CASSETTE TYPE EVAPORATOR (360° Discharge)**

**DIMENSIONAL DRAWINGS**



	mm	in
<b>A</b>	620	24.41
<b>B</b>	580	22.83
<b>C</b>	570	22.44
<b>D</b>	505	19.88
<b>E</b>	550	21.65
<b>F</b>	295	11.61
<b>G</b>	171	6.73

NOTE – Due to Lennox' ongoing commitment to quality, Specifications, Ratings and Dimensions subject to change without notice and without incurring liability. Improper installation, adjustment, alteration, service or maintenance can cause property damage or personal injury. Installation and service must be performed by a qualified installer and servicing agency. ©2019 Lennox Industries Inc.